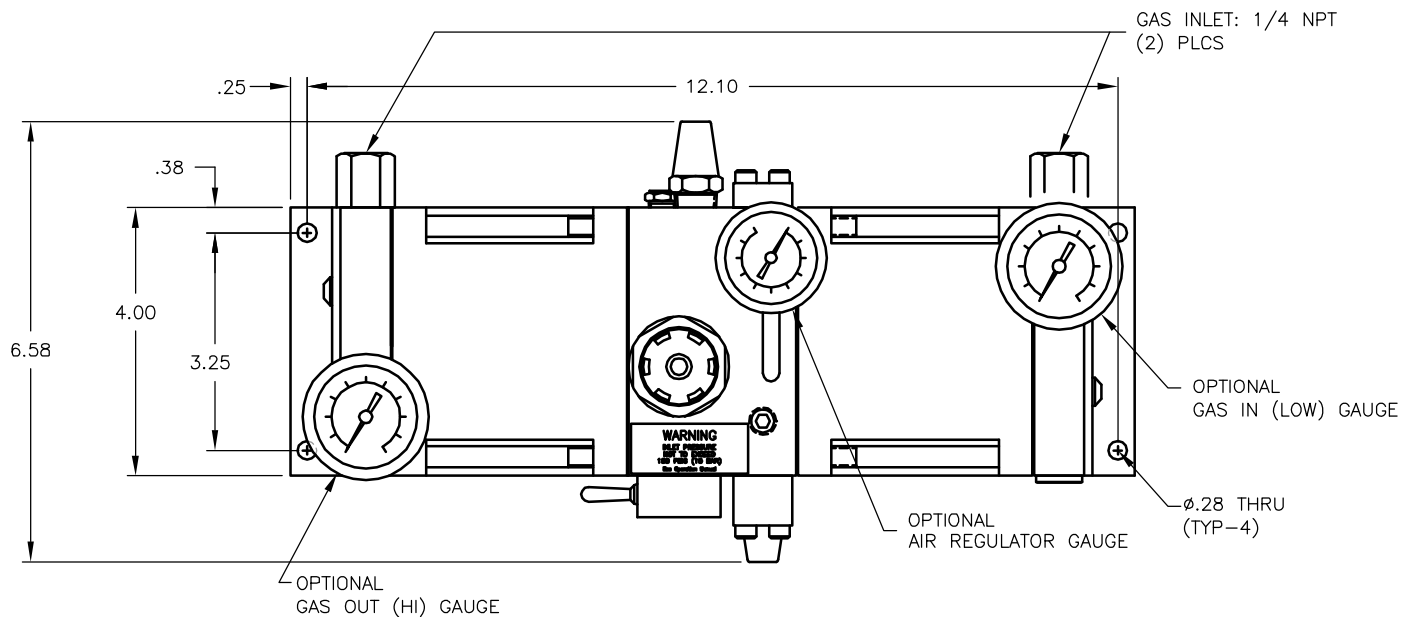
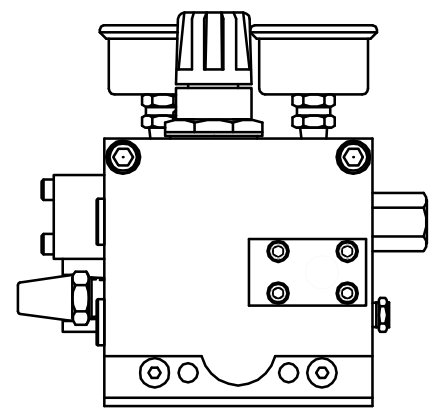
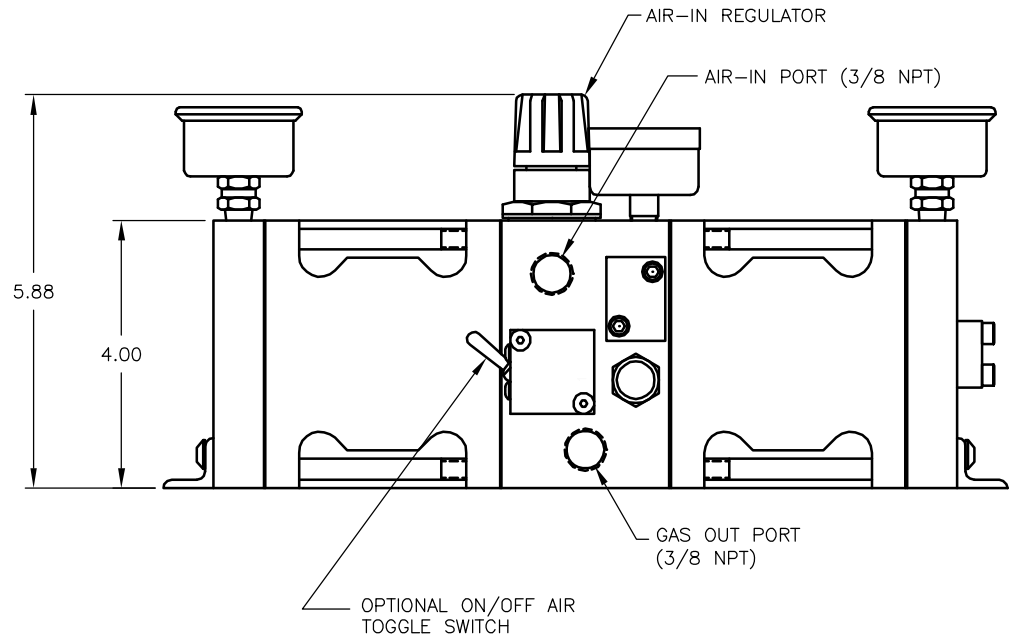


Z:\Programs\Accodwgs\AIRAMP\1to1\P29-0001--B.DWG Plotted: Dec 07, 2012 8:37AM

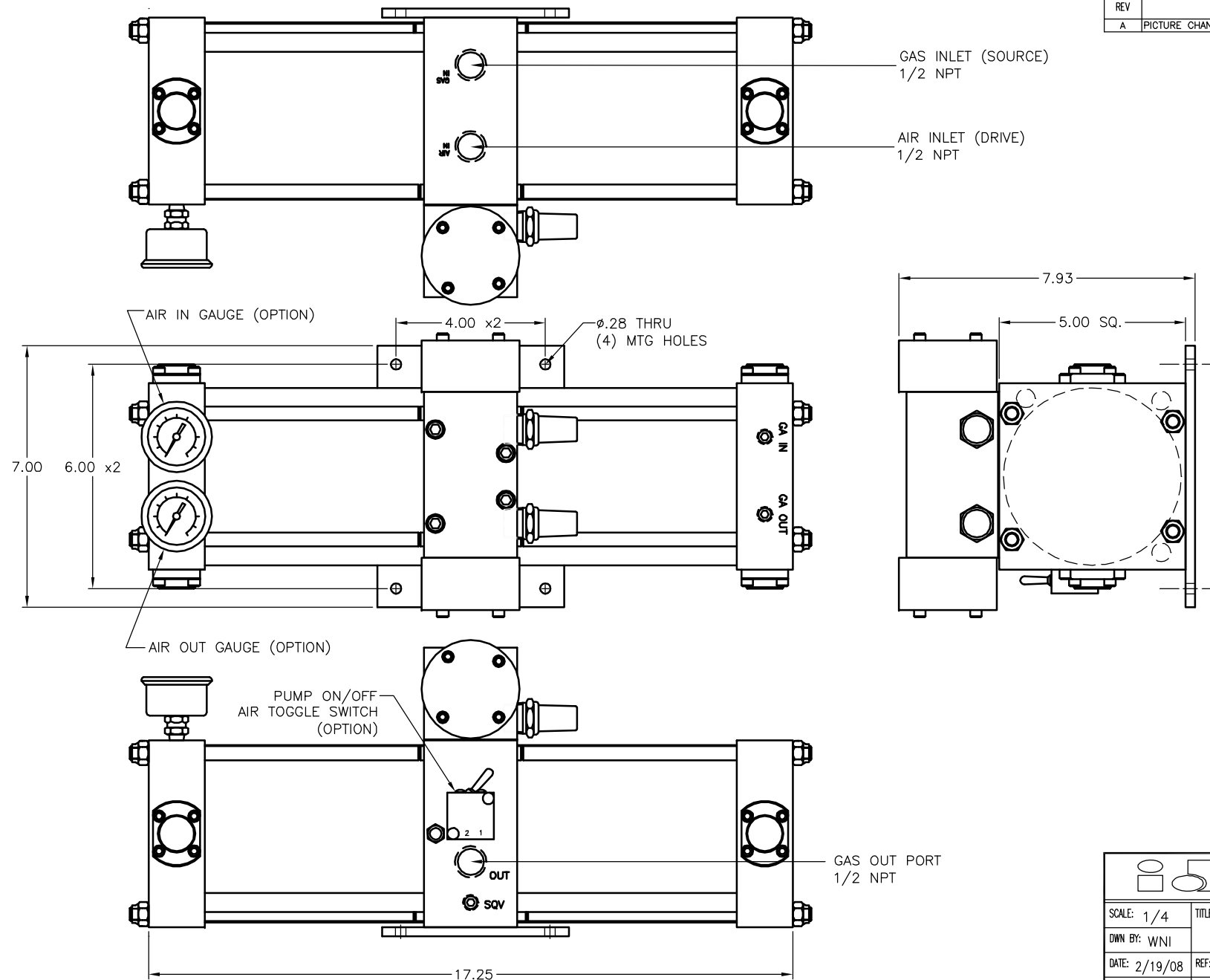


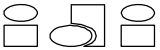
REV	DESCRIPTION	BY	DATE
A	PICTURE CHANGE; MUFFLERS, GAS INLET PORTS MOVED TO FAR SIDE; ADDED AIR REGULATOR GAUGE	WNI	1/4/06
B	PICTURE CHANGE: GAUGES WERE 1/4 NPT	WNI	12/7/12



		INTERFACE DEVICES, INC. 230 DEPOT ROAD MILFORD, CT 06460	
SCALE: 1/2	TITLE: GENERAL ARRANGEMENT, DA GAS PUMP		
DWN BY: TWH	REF:		
DATE: 8/6/03	REF:		
SHT: 1 OF: 1	DWG NO: P29-0001	REV: B	

REV	DESCRIPTION	BY	DATE
A	PICTURE CHANGE ISO 3 VALVE; 7.93 WAS 7.38	WNI	1/11/12



		INTERFACE DEVICES, INC. 230 DEPOT ROAD MILFORD, CT 06460
SCALE: 1/4 DWN BY: WNI DATE: 2/19/08 SHT: 1 OF: 1	TITLE: GENERAL ARRANGEMENT, GA-160 2:1 GAS AMPLIFIER REF: DWG NO: P30-0003	
		REV: A