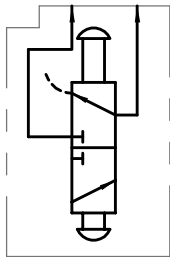
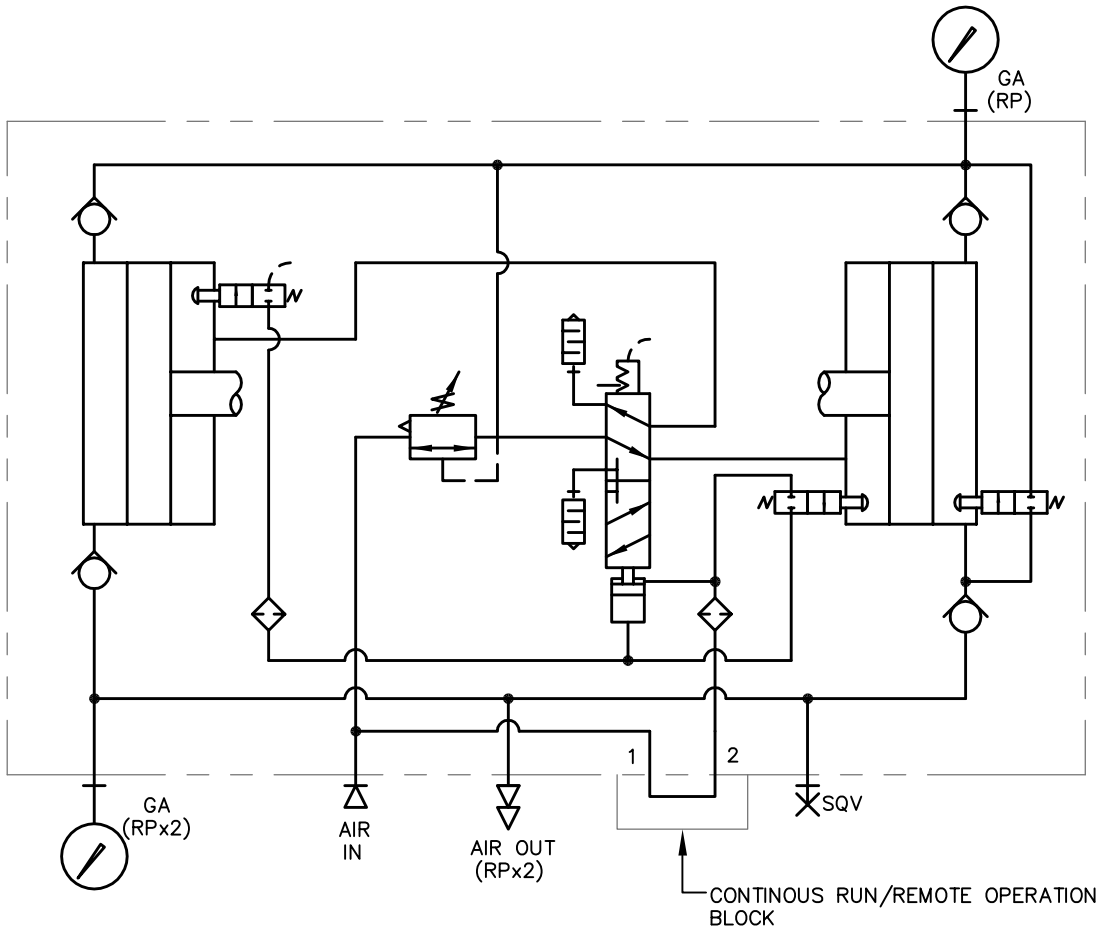
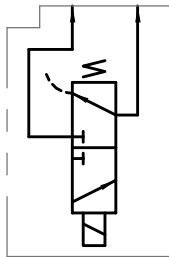


Z: \Programs\Acaddwgs\AIRAMP\2to1\p30-4001-C.DWG Plotted: Apr 12, 2006 8:10AM

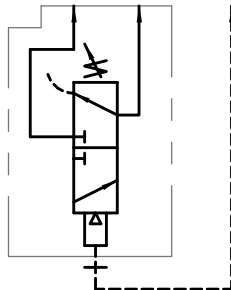
| REV | DESCRIPTION | BY | DATE |
|-----|----------------------------|-----|----------|
| A | DWG NO WAS GA-9711051 | WNI | 12/11/02 |
| B | ADD LUNGE VALVE | WNI | 2/21/04 |
| C | ADD ON/OFF CONTROL OPTIONS | WNI | 4/12/06 |



TOGGLE VALVE OPTION



SOLENOID VALVE OPTION



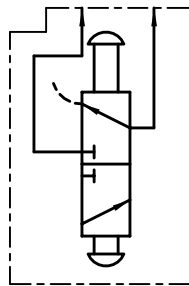
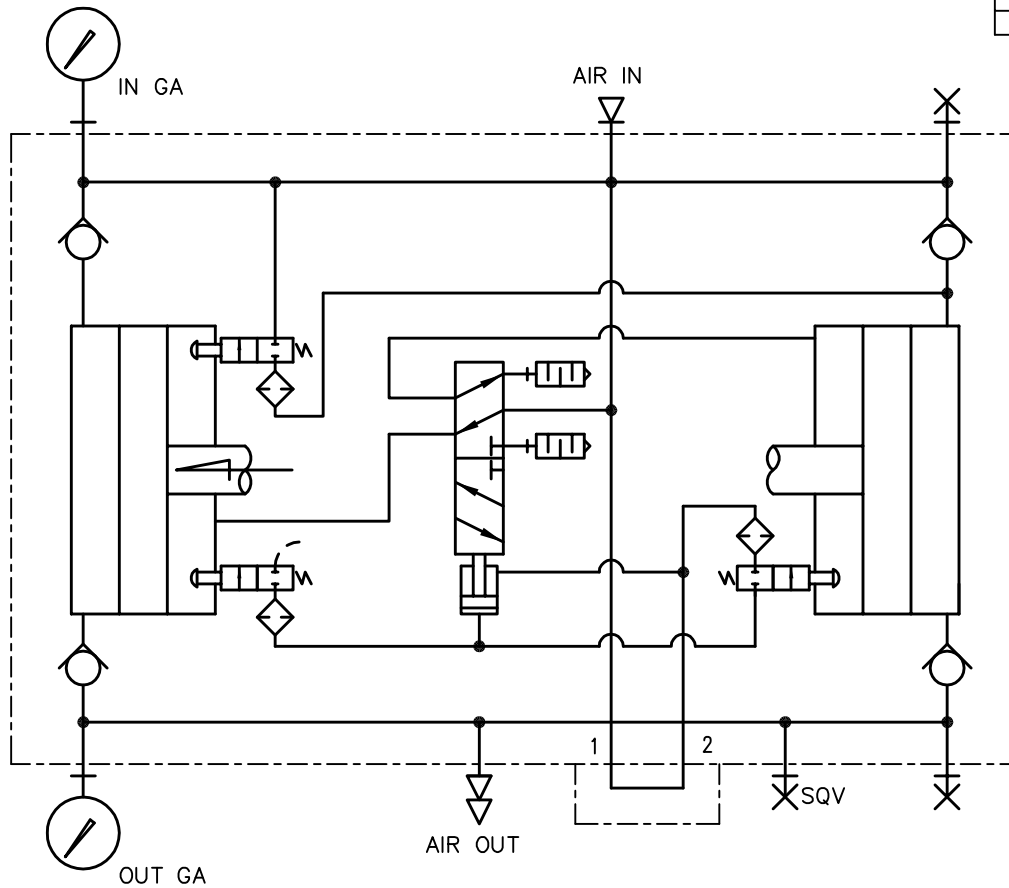
N.C. SEQUENCE VALVE OPTION

NOTES

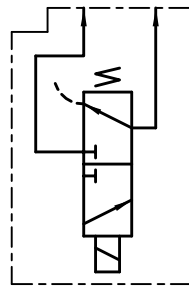
- 1 GAUGES SHOWN ARE OPTIONAL COMPONENTS
- 2 AIR IN AND OUT PORTS: 3/8 NPT
- GAUGE PORTS: 1/4 NPT
- SEQUENCE VALVE PILOT PORT: 1/8 NPT

| | | | |
|----------------|---|--|--------|
| | | INTERFACE DEVICES, INC. 230 DEPOT ROAD MILFORD, CT 06460 | |
| SCALE: N/A | TITLE: PNEUMATIC SCHEMATIC, AA-54 2:1 AIR AMPLIFIER | | |
| DWN BY: TWH | REF: | | |
| DATE: 11/14/95 | DWG NO: P30-4001 | | REV: C |
| SHT: 1 OF: 1 | | | |

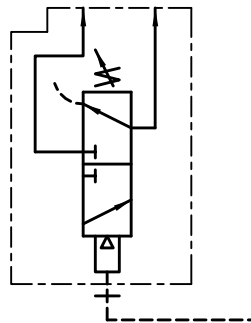
| REV | DESCRIPTION | BY | DATE |
|-----|-------------|----|------|
| - | - | - | - |



TOGGLE
VALVE
OPTION



SOLENOID
VALVE
OPTION



SEQUENCE
VALVE
OPTION

| | | | |
|---------------|---|--|--------|
| | | INTERFACE DEVICES, INC. 230 DEPOT ROAD MILFORD, CT 06460 | |
| SCALE: N/A | TITLE: PNEUMATIC SCHEMATIC, AA-160 2:1 AIR AMPLIFIER | | |
| DWN BY: TWH | REF: UNBAL AIR SPOOL | | |
| DATE: 6/17/04 | DWG NO: P30-4002 | | REV: - |
| SHT: 1 OF: 1 | | | |

Z:\PROGRAMS\ACADDWG\AIRAMP\LRG\P30-4002.DWG Plotted: Nov 17, 2004 11:29AM